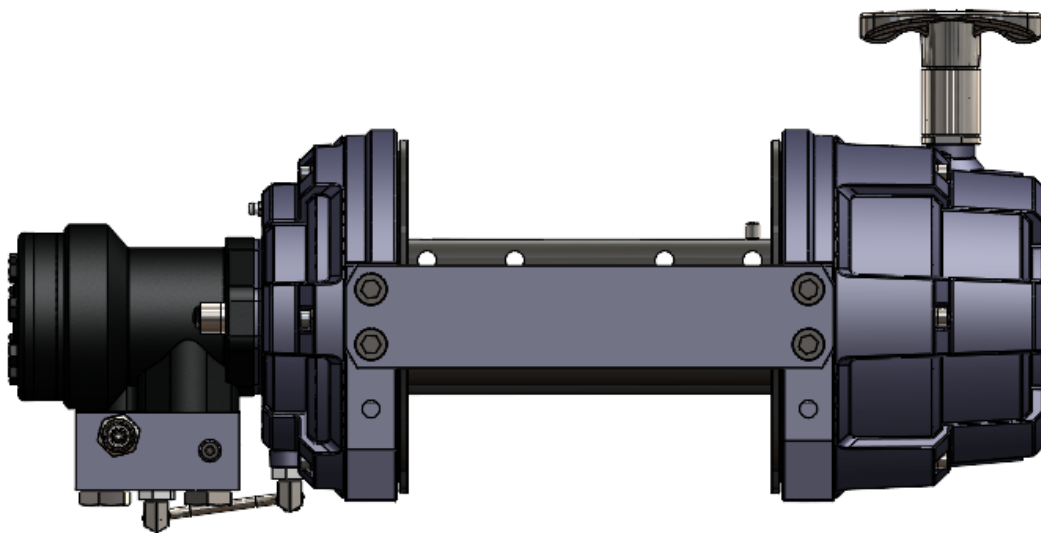




Hydraulic Winch

Owner's Manual



CE EN14492-1

⚠ WARNING: Read carefully and understand all ASSEMBLY AND OPERATION INSTRUCTIONS before operating. Failure to follow the safety rules and other basic safety precautions may result in serious personal injury.

SAVE THESE INSTRUCTIONS

Thank you very much for choosing an X-power™ product!

For future reference, please complete the owner's record below:

Serial Number/Lot Date Code: _____

Purchase Date: _____

Save the receipt, warranty, and this manual. It is important that you read the entire manual to become familiar with this product before you begin using it.

This Hydraulic winch is designed for certain applications only. Forcome Co., Ltd. is not responsible for issues arising from modification or improper use of this product such as an application for which it was not designed. We strongly recommend that this product not be modified and/or used for any application other than that for which it was designed.

For technical questions, please contact your local distributor

WARNING

- Read and understand all instructions. Failure to follow all instructions may result in fire, serious injury and/or DEATH.
- The warnings and instructions in this manual cannot cover all possible conditions or situations that could occur. Exercise common sense and caution when using this electric winch. Always be aware of the environment and ensure the electric winch is used in a safe and responsible manner.
- Do not allow anyone to operate or assemble the electric winch until they have read this manual and have developed a thorough understanding of how it works.
- Do not modify this electric winch in any way. Unauthorized modification may impair the function and/or safety and could affect the life of the electric winch.
- Use the right tool for the job. DO NOT attempt to force small equipment to do the work of larger industrial equipment. There are certain applications for which this electric winch was designed. The proper tool will perform the job safer and better at the capacity for which it was intended. DO NOT use this equipment for a purpose for which it was not intended.
- Industrial or commercial applications must follow OSHA requirements.

Table of Contents

Intended Use	4
Technical Specifications	4
Important Safety Information	6
Specific Operation Warnings	7
Assembly Instructions	9
Before Each Use	10
Operating Instructions	11
After Each Use	13
Maintenance	13
Troubleshooting	13
Parts Diagram	14
Parts List	15
Replacement Parts	16
Warranty Information	17

Intended Use

The Hydraulic motor stays cooler during long pulls. The two-stage planetary gear system provides fast line speed. The automatic load-holding brake insures maximum safety. The free spooling provides a fast line-out.


Technical Specifications

Part Number: 10801505、10801506、10801507



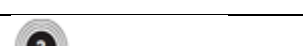

Property	Specification		
Rated Single Line Pull	10801505 12,000lb (5443kg.)	10801506 10,000lb (4536kg.)	10801507 8,000lb (3629kg.)
Motor displacement	100 ml/rev	80ml/rev	50ml/rev
Max. flow	55 l/min	55 l/min	40 l/min
Max pressure	12Mpa		
Gear Train	2-stage Planetary		
Gear Ratio	33:1		
Free spool	Locking Ring Gear		
Braking Action	Automatic Hydraulic Brake		
Drum (Dia. XL)	4.3" x 8.3" (108mm x 211mm)	3.5" x 8.3" (90mm x 211mm)	
Mounting Bolt Pattern	10" x 4.5" (254mm x 114.3mm) 10" x 6.5" (254mm x 165.1mm)		
Mounting Hardware	Winch: 8xM12-1.75x35mm		
Sound Rating	80dB		
Overall Dimensions (LXDxH)	24.1" X 10.4" X 9.45" (612mm X265mm X305mm)	23.9" X 10." X 9.45" (608mm X265mm X305mm)	23.7" X 10." X12" (602mm X265mm X305mm)
Weight	118lb (53.52kg)	117lb (53kg)	114lb (51.7kg)
IP Rating	IP68-Winch and Controls		


Part Number: 10801505

Layer	Rated Line pull	Rope Length/ Layer
1	12000lb(5443kg)	21.7'(6.6m)
2	10000lb(4536kg)	46.4'(14.1m)
3	8571lb(3888kg)	73.3'(22.4m)
4	7500lb(3402kg)	98.4'(30m)



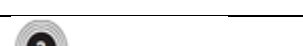

	Line Pull lb(kg)	Line Speed fpm(m/min)	Flow (L/min)	Pressure difference (Mpa)
	0(0)	4 (1.2)	15	3
	3000(1361)	6.7 (2.1)	20	4
	6000(2722)	10.4 (3.2)	30	6
	9000(4082)	14 (4.3)	40	9
	12000(5443)	18 (5.5)	50	12


Part Number: 10801506

Layer	Rated Line pull	Rope Length/ Layer
	10000b(4536kg)	23.5'(7.2m)
	8439lb(3828kg)	50'(15.2m)
	7300lb(3311kg)	78.8'(24m)
	6433lb(2918kg)	98.4(30.0m)

	Line Pull lb(kg)	Line Speed fpm(m/min)	Flow (L/min)	Pressure difference (Mpa)
	0(0)	4 (1.2)	15	3
	2500(1134)	6.7 (2.1)	20	4
	5000(2268)	10.4 (3.2)	30	6
	7500(3402)	14 (4.3)	40	8
	10000(4536)	18 (5.5)	50	11

Part Number: 10801507

Layer	Rated Line pull	Rope Length/ Layer
	8000b(3629kg)	21.7'(6.6m)
	6667lb(3024kg)	46.6'(14.2m)
	5714lb(2592kg)	74.2'(22.6m)
	5000lb(2268kg)	98.4(30.0m)

	Line Pull lb(kg)	Line Speed fpm(m/min)	Flow (L/min)	Pressure difference (Mpa)
	0(0)	4 (1.2)	15	4
	2000(1361)	4 (1.2)	15	5
	4000(2722)	6.7 (2.1)	20	7
	6000(4082)	10.4 (3.2)	30	11
	8000(4309)	14 (4.3)	40	12.5

Important Safety Information

⚠️WARNING

WORK AREA SAFETY

- Inspect the work area before each use. Keep work area clean, dry, free of clutter, and well-lit. Cluttered, wet, or dark work areas can result in injury. Using the Hydraulic winch in confined work areas may put you dangerously close to other cutting tools and rotating parts.
- Keep children and bystanders away from the work area while operating the tool. Do not allow children to handle the Hydraulic winch.
- Always make sure you have control of vehicle and area around it. Make sure no personal or property damage can occur if vehicle rolls back during winching operation.

⚠️WARNING

PERSONAL SAFETY

- Stay alert, watch what you are doing, and use common sense when operating the Hydraulic winch. Do not use the Hydraulic winch while you are tired or under the influence of drugs, alcohol, or medication. A moment of inattention while operating the tool may result in serious personal injury.
- Dress properly. Do not wear loose clothing, dangling objects, or jewelry. Keep your hair, clothing, and gloves away from moving parts. Loose clothes, jewelry, or long hair can be caught in moving parts. Air vents on the tool often cover moving parts and should be avoided.
- Wear the proper personal protective equipment when necessary. Use ANSIZ87.1 compliant safety goggles (not safety glasses) with side shields, or when needed, a face shield. Use a dust mask in dusty work conditions. Also, use non-skid safety shoes, hardhat, gloves, dust collection systems, and hearing protection when appropriate. This applies to all persons in the work area.
- Do not overreach. Keep proper footing and balance at all times.

⚠CAUTION

WINCH USE AND CARE

- Inspect before every use, do not use if damaged or parts loose. Examine the winch for structural cracks, bends, damage, frayed or kinked Rope, and any other conditions that may affect the safe operation of the winch. Do not use the winch even if minor damage appears. A kink permanently weakens the Rope, even after it is straightened out; kinked Rope can fail suddenly and must not be used.
- Do not force the winch. Products are safer and do a better job when used in the manner for which they are designed. Plan your work and use the correct product for the job.
- Store the winch when it is not in use. Store it in a dry, secure place out of the reach of children. Inspect the tool for good working condition prior to storage and before re-use.
- Use only accessories that are recommended by the manufacturer for use with your product. Accessories that may be suitable for one product may create a risk of injury when used with another tool. Never use an accessory that has a lower operating speed or operating pressure than the tool itself.

Specific Operation Warnings

⚠WARNING

GENERAL SAFETY

- To prevent injury or property damage, read and understand all instructions before operating winch.
- Wear ANSI Z87.1 compliant safety goggles and heavy-duty leather work gloves during operation.
- Do not exceed the rated load capacity. Be aware of dynamic loading! Sudden load movement may briefly create excess load causing product failure.

INSTALLATION SAFETY

- Choose a mounting location that can support the winch and rated load capacity.
- Do not weld mounting bolts
- Use supplied power cords and Rope listed in manual only. Do not use thinner/longer cables or link multiple cables together.
- Keep hands clear of winch rope, hook loop, hook, and fairlead opening during installation, operation, and when spooling in or out.
- Inspect winch wire rope, hook, and slings before operating winch. Frayed, kinked or damaged winch wire rope must be replaced immediately. Damaged components must be replaced before operation. Protect parts from damage.
- Winch cable must be wound onto the drum under a load of at least 10% rated line pull or outer wraps will draw into inner wraps and damage winch cable
- Do not route electrical cables near sharp edges or parts that will move or become hot.
- Work in a well-ventilated area. Explosive hydrogen gas can accumulate and explode when ignited by a spark or open flame.
- Only connect to a clean, corrosion-free battery.
- Remove all jewelry and metallic objects before working near battery.

WINCHING SAFETY

- Inspect winch rope, hook, and slings before operating winch. Frayed, kinked, or damaged winch rope must be replaced immediately. Damaged components must be replaced before operation.
- Do not engage or disengage clutch while under load.
- Always ensure hook latch is closed and not supporting load.
- Never apply load to hook tip or latch. Apply load only to the center of hook.
- Never use a hook that has been bent, warped, or twisted.
- Keep clear of fairlead when operating. Do not try to guide Rope.
- Do not place any fingers through the hook. Fingers may be caught and get pulled into the fairlead or drum. Use the included strap to hold the hook instead.
- Stay out of the direct line that the Rope is pulling. If it slips or breaks, it will create a whiplash effect. Utilize a winch dampener to help absorb the force released if the Rope breaks.
- Do not use for overhead hoisting. This winch is intended to be used for pulling only.
- Use a spotter to assist you with safe operation of the winch. Make sure the spotter is out of the way of the vehicle and the Rope before activating the winch.
- Do not use the hand crank, if equipped, to assist the winch.
- Do not use vehicle to pull on the Rope and “assist” the winch.
- Do not use to transport people or animals.
- Do not engage or disengage clutch if winch is underload, winch wire rope is in tension or drum is moving.
- Keep Rope straight to avoid kinking the Rope.
- Keep children and bystanders away while operating.
- Hook onto the object using a pulling point, tow strap, or chain. Do not wrap the Rope around the object and hook onto the Rope itself.
- Do not use a recovery strap while winching.
- Secure the load after moving. Do not lock the mechanism.
- Keep at least 5 full turns of Rope on the drum.
- Keep clear of the Rope, hook, and load while winching. Do not step over the Rope or apply pressure to the rope under tension. The Rope might break and cause personal injury.
- If the Rope begins to get entangled, stop the winch immediately and release the Rope using the switch.
- Only winch with the winching vehicle’s transmission placed in neutral. Winching with a vehicle’s transmission in gear or park may damage the transmission. A vehicle’s transmission is not designed to handle this type of load.
- Do not operate the winch on extreme slopes. Do not exceed 45° from center line of vehicle for a fairlead. For a hawse fairlead, the angle should be as close to vehicle center line as possible.
- People with pacemakers should consult their physicians before use. Electromagnetic fields near heart pacemaker could cause pacemaker interference or failure.
- Remove all obstacles before operation.
- Always use supplied hook strap whenever spooling winch rope in or out, during installation, and during operation.

Always take time to use appropriate rigging techniques for winch pull.

Assembly Instructions

⚠ WARNING

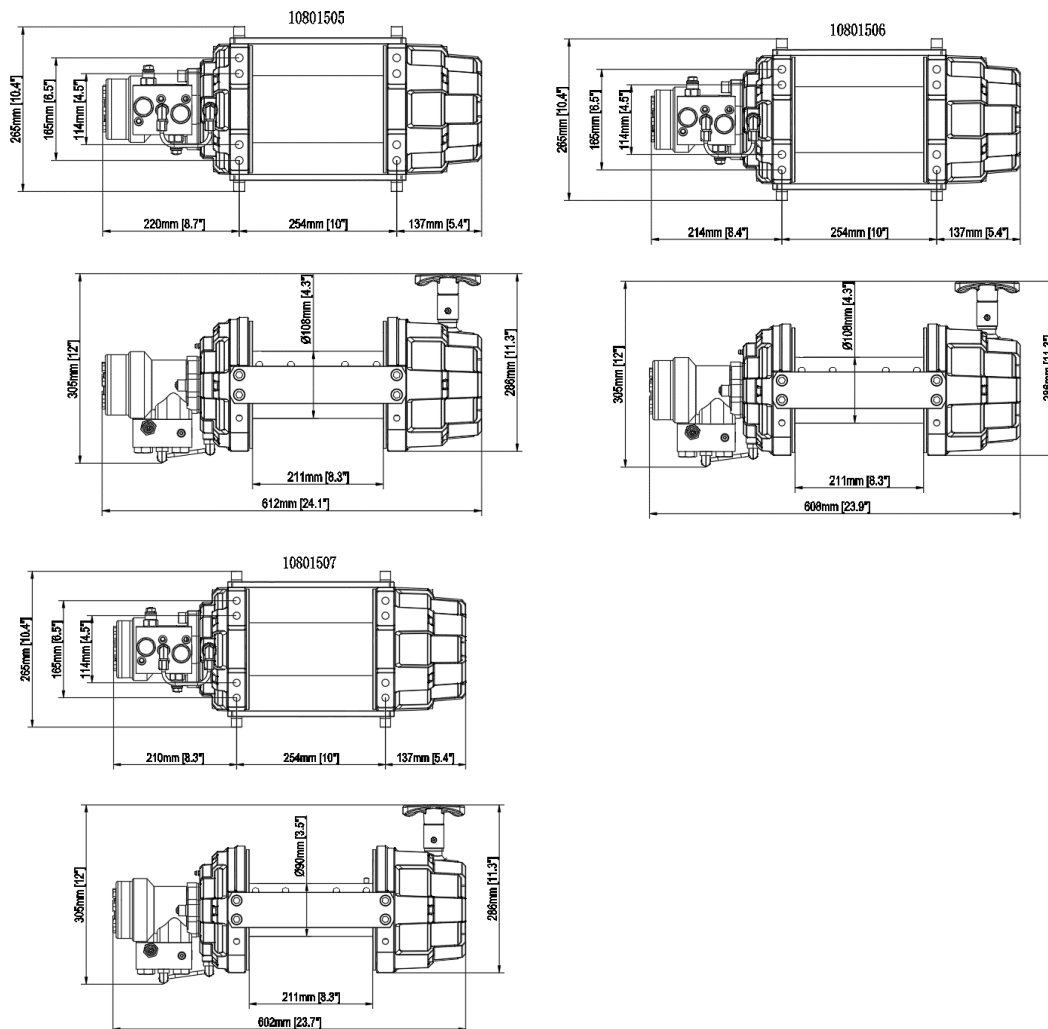
Read the entire Important Safety Information section at the beginning of this manual including all text under subheadings before set up or use of this Hydraulic winch.

Mounting the Winch:

1. The mounting plate must be rated to at least the winch's capacity. It must be flat and strong enough to remain flat at maximum winch capacity. Winch must sit flat on winch mount with no gaps under drum supports.
2. Align the winch perpendicular to centerline of the vehicle at the desired location and mark the locations of the winch base holes. Compare the dimensions of the marked holes.
3. Before drilling, verify that the installation surface has no hidden components or structural pieces that will be damaged.

NOTE: This winch can generate extreme forces. Select a location that can withstand the rated capacity without damage or weakening. Steel reinforcement plates may be needed or a certified welder may need to weld on additional bracing depending on the mounting location.

4. Drill holes for the hardware at the marked locations.
5. Install the winch using hardware described under the specifications table.



Plumbing connections

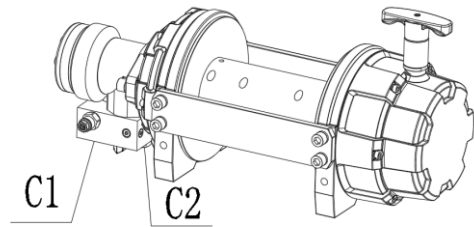
Keep all hoses away from areas where heat is too extreme such as an exhaust manifold or turbo. Lines should not come in contact with abrasive or vibrating surfaces. In some applications, right-angle fittings on the directional and motor or balance valves are necessary to make hose mounting more flexible. After plumbing has been laid out on the vehicle, install o-ring fittings supplied to the valve. Torque tight. **DO NOT OVERTIGHTEN ANY FITTINGS.** Install o-ring fittings on the winch motor. Torque tight. Connect any hose port A on the motor or port C1 on the balance valve to port A on the directional valve, port B on the motor or port C2 on the balance valve to port B on the directional valve, port P on the directional valve to pump's high-pressure port, port T on the valve to the reservoir. Attach any o-ring or seal from the vehicle's original tube fitting to the tube fitting

C1, C2 connector specifications: 2xG1/2D Quantity 2

Cautions

Battery cables should not be drawn out. Leave slack for some cable movement. Please check and follow the steps if your application is supplied with an added cooler.

1. Check fluid level.
2. Replace lost fluid to system.(System will need to be purged).
3. Start engine. (Power winch cable in 5 feet).
4. Shut engine off.
5. Check fluid level. (Add fluid until full, start engine, power winch cable, Out 5 feet, Shut engine off and Check fluid level.) Add fluid until full if necessary
6. Start engine. Power winch cable into desired position. Turn vehicle wheels from lock to lock position 5 times. This will aid in bleeding out any air that may have got into the system.



Preparing & Stretching Winch Rope:

WARNING: Always pre-stretch all new ropes before first use. Failing to pre-stretch rope will reduce maximum capacity of rope and may cause premature failure.

1. Positioning vehicle on a flat surface approximately full rope length distance from anchor point such as large tree.
2. Connect rope to anchor point with minimum number of wraps on drum.
3. Recoil the rope back into the winch under at least 1000lb (454kg) of tension. Apply light pressure to vehicle brake pedal as needed to produce load.
4. Stop approximately every minute to check rope is winding level. Make sure vehicle is in park with parking brake applied before exiting vehicle. Do not check, touch or attempt to reposition rope with load on winch rope.

Before Each Use

⚠WARNING

- Inspect winch rope, hook, and slings before operating winch. Frayed, kinked, or damaged winch rope must be replaced immediately. Damaged components must be replaced before operation.
- Wrap the Rope under 1000 lbs of tension before use. Otherwise, the Rope may bind during operation.
- Work in a well-ventilated area. Explosive hydrogen gas can accumulate and explode when ignited by a spark or open flame.
- Remove all jewelry and metallic objects before working near batteries.

Operating Instructions

⚠ WARNING

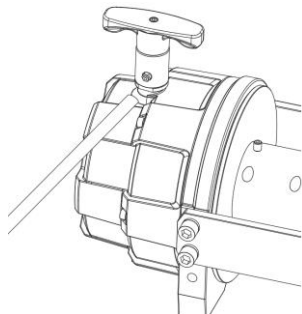
- Read the entire Important Safety Information section at the beginning of this manual, including all text under subheadings before set up or use of this Hydraulic winch.
- The instructions that follow are basic guidelines only and cannot cover all situations encountered during use. The operator and assistants must carefully plan usage to prevent accidents.

1. Examine the Rope. Do not use the winch if the Rope is frayed, kinked, or damaged.
2. Check the winch's electrical connections. All connections must be tight and clean.
3. Put the vehicle's transmission in Neutral.
4. If the vehicle connected to the winch must be stationary, engage the emergency brake and block the wheels using wheel chocks (sold separately).

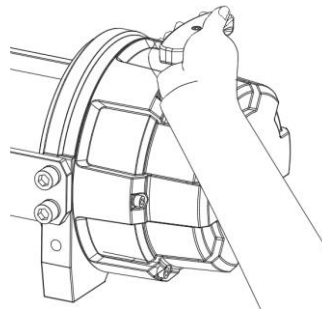
WARNING: Never shift winch to Freespool position with load on winch rope.

5. To pull out the rope, connect the air hose to the coupling of the clutch assembly, turn on the air hose switch, move the clutch handle up, and the clutch opens (shown below). Slide the loop of the hook strap over the hook, then pull on the hook strap to pull the winch line from the winch drum.

Note: Please ensure that the air pressure is above 0.4Mpa. In case of emergency, manual clutch can be used.



Pneumatic clutch

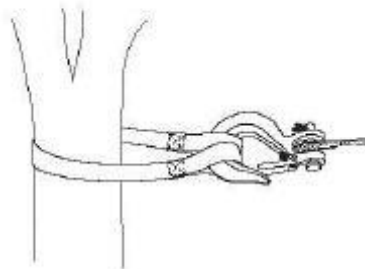


Manual clutch

6. Hook onto the object using a pulling point, tow strap, tree strap, or chain.

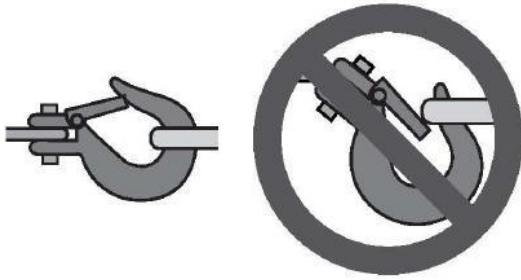
⚠ WARNING

Leave at least five full turns of Rope on the drum.

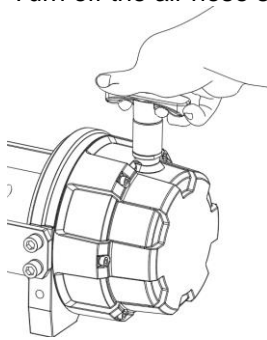


Do not wrap the Rope around the object and hook onto the Rope itself. This can damage the object being pulled, and kink or fray the Rope.

- Attachment point must be centered in loop of hook and the hook's safety clasp must be fully closed. (See image below.)



- Do not use a recovery strap while winching. They are designed to stretch and can suddenly whip back towards the operator during operation.
- Turn off the air hose switch, close the clutch again, or manually clutch (see image below)



⚠WARNING

Do not allow anyone to stand near the Rope or in line with the Rope behind the winch while it is work. If the Rope should slip or break, it can suddenly whip back towards the winch, causing a hazard for anyone in the area. Stand far to the side while winching.

⚠WARNING

Only operate the winch while the winch, line, and load are in view. Make sure that there are no bystanders nearby.

- Do not operate the winch at extreme angles. Do not exceed the angles shown below for a fairlead. For a hawse fairlead, the angle should be as close to straight as possible.
- If the object to be pulled must be pulled at an angle in relation to the winch, use a pulley (sold separately) and an anchor point directly in front of the winch

⚠WARNING

Stop the winch and release tension on the Rope before moving the rag or carpet placed on it.

- Discontinue use of the winch if the battery becomes weak or run down.

13. When finished pulling the load, reverse the direction of the winch just enough to release tension on the Rope so that you can unfasten the hook from the load and reel in the Rope.

After Each Use

- Inspect Rope for Damage. Replace immediately if damaged.
- Wipe external surfaces of the winch with a clean cloth.

Maintenance

⚠WARNING

- To prevent serious injury, disconnect the battery cables before performing any inspection, maintenance, or cleaning procedures.
- To prevent serious injury from winch failure, do not use damaged equipment. If an abnormal noise or vibration occurs, have the problem corrected before further use.
- When operating a steel cable winch, be sure to check and maintain cable. Maintenance may include lubricating Rope occasionally with a light oil.
- The winch's internal mechanism is permanently lubricated. Do not open the housing. However, if the winch is submerged, it should be opened, dried, and re-lubricated by a qualified technician as soon as possible to prevent corrosion.

Troubleshooting

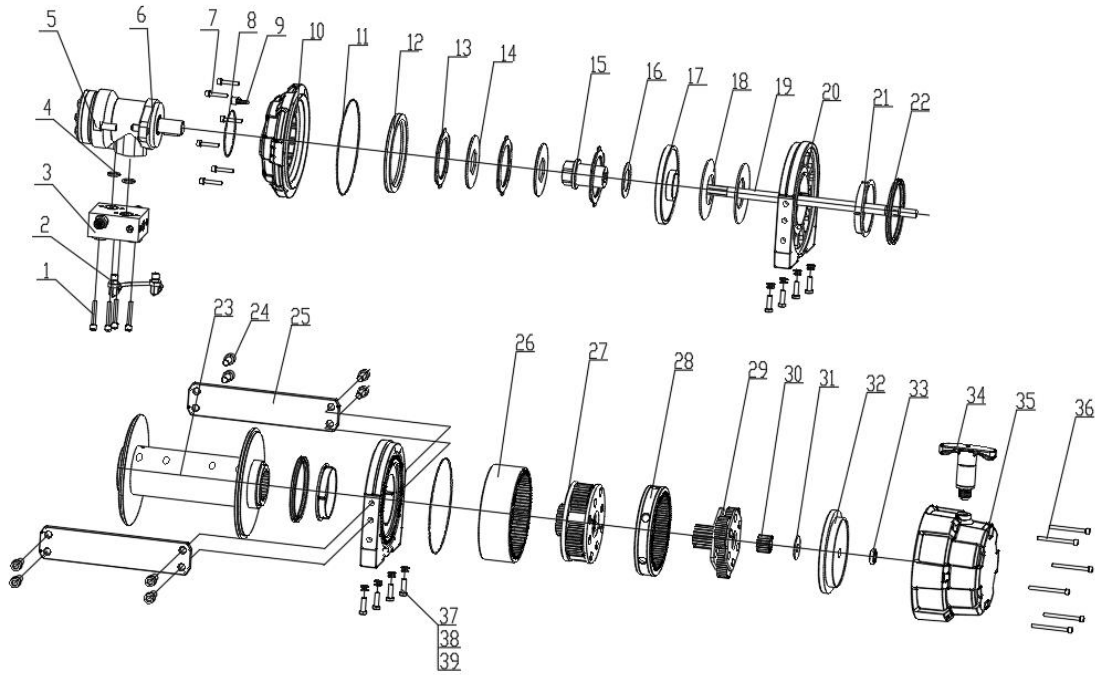
⚠WARNING

- Follow all safety precautions whenever diagnosing or servicing the tool.
- Disconnect the fuel line before repairing.

Use the table below to troubleshoot problems before contacting service personnel or your local dealer. If the problem continues after troubleshooting, call your local dealer for assistance.

Failure	Possible Cause	Corrective Action
Winch drum runs slowly or without	<ol style="list-style-type: none"> 1. Hydraulic system failure. 2. Hydraulic motor failure 	<ol style="list-style-type: none"> 1. Check if oil circuit error. 2. Check system pressure.
Oil leakage	Winch overload.	Change hydraulic motor seals or change hydraulic motor. DO NOT overload during operation.
Winch stuck during Freespooling or hard to Freespool	Knob on the wire rope winch mounting bolts loose. Freespool knob rust.	Smooth wire rope. Tighten the mounting bolts. Disassemble Freespool knob in no load, lubricate it with lubrication oil.
Brake failure	Brake pad worn. Wrong wire rope winding direction.	Change brake assembly. See from motor side, counterclockwise winding should be cable in.

10801505/10801506/1080101507 Parts Diagram



Parts List

Item Number	Description	Quantity	Set Number
1	Hexagon socket cap screw M8x50	4	A
2	Oil Pipe Components	1	
3	Valve plate assembly	1	
4	O Ring 19.5x2.5	2	
5	Hexagon socket cap screw M12x30	2	B
6	10801507 hydraulic motor	1	
	10801506 hydraulic motor	1	
	10801505 hydraulic motor	1	
7	Hexagon socket cap screw M6x35	6	C
8	O Ring 82.5*2	1	
9	G1/8 pressure tap	1	
10	Brake housing	1	
11	O Ring 176*2	2	
12	Y-seal ring 125*145*12	1	
13	Brake Pad	3	
14	Friction plate	2	
15	Coupling	1	
16	Spacer	1	
17	Oil seal top plate	1	
18	Butterfly gasket 57*3	2	
19	Drive Shaft	1	
20	Deceleration bracket	2	

Item Number	Description	Quantity	Set Number
21	Bushing	2	D
22	X-seal ring	2	E
23	Drum assembly	1	F
24	Hexagon socket cap screw M12x25	8	G
25	Connecting plate	2	
26	S3 gear ring	1	H
27	Gear Carrier Assembly (Output)	1	
28	S2 gear ring	1	
29	S2 planetary wheel assembly	1	
30	S2 Sun Wheel	1	
31	Friction Spacer	1	
32	S1 anti-wear gasket	1	
33	Deep groove ball bearing 61902	1	
34	Clutch assembly	1	I
35	Gearbox	1	H
36	Hexagon socket cap screw M6x70	6	
37	Screw M12x35	8	J
38	Spring Washer Ø 12	8	
39	Flat Washer Ø 12	8	

Replacement Parts

- For replacement parts and technical questions, please contact your local distributor
- Not all product components are available for replacement. The illustrations provided are a convenient reference to the location and position of parts in the assembly sequence.
- When ordering parts, the following information will be required: item description, item model number, item serial number/item lot date code, and the replacement part number.
- The distributor reserves the rights to make design changes and improvements to product lines and manuals without notice.

Limited Warranty

Forcome (Shanghai)Co., Ltd ("We" or "Us") warrants to the original purchaser only ("You" or "Your") that the X-power product purchased will be free from material defects in both materials and workmanship, normal wear and tear excepted, for a period of two year from date of purchase. The foregoing warranty is valid only if the installation and use of the product is strictly in accordance with product instructions. There are no other warranties, express or implied, including the warranty of merchantability or fitness for a particular purpose. If the product does not comply with this limited warranty, Your sole and exclusive remedy is that We will, at our sole option and within a commercially reasonable time, either replace the product or product component without charge to You or refund the purchase price (less shipping). This limited warranty is not transferable.

Limitations on the Warranty

This limited warranty does not cover: (a) normal wear and tear; (b) damage through abuse, neglect, misuse, or as a result of any accident or in any other manner; (c) damage from misapplication, overloading, or improper installation; (d) improper maintenance and repair; and (e) product alteration in any manner by anyone other than Us, with the sole exception of alterations made pursuant to product instructions and in a workmanlike manner.

Obligations of Purchaser

You must retain Your product purchase receipt to verify date of purchase and that You are the original purchaser. To make a warranty claim, contact your local distributor, identify the product by make and model number, and follow the claim instructions that will be provided. The product and the purchase receipt must be provided to Us in order to process Your warranty claim. Any returned product that is replaced or refunded by Us becomes our property. You will be responsible for return shipping costs or costs related to Your return visit to a retail store.

Remedy Limits

Product replacement or a refund of the purchase price is Your sole remedy under this limited warranty or any other warranty related to the product. We shall not be liable for: service or labor charges or damage to Your property incurred in removing or replacing the product; any damages, including, without limitation, damages to tangible personal property or personal injury, related to Your improper use, installation, or maintenance of the product or product component; or any indirect, incidental or consequential damages of any kind for any reason.

Assumption of Risk

You acknowledge and agree that any use of the product for any purpose other than the specified use(s) stated in the product instructions is at Your own risk..





Distributed by:

Forcome (Shanghai)Co., Ltd

Building 109, No. 255 South Sizhuan road

Shanghai 201612

China

--